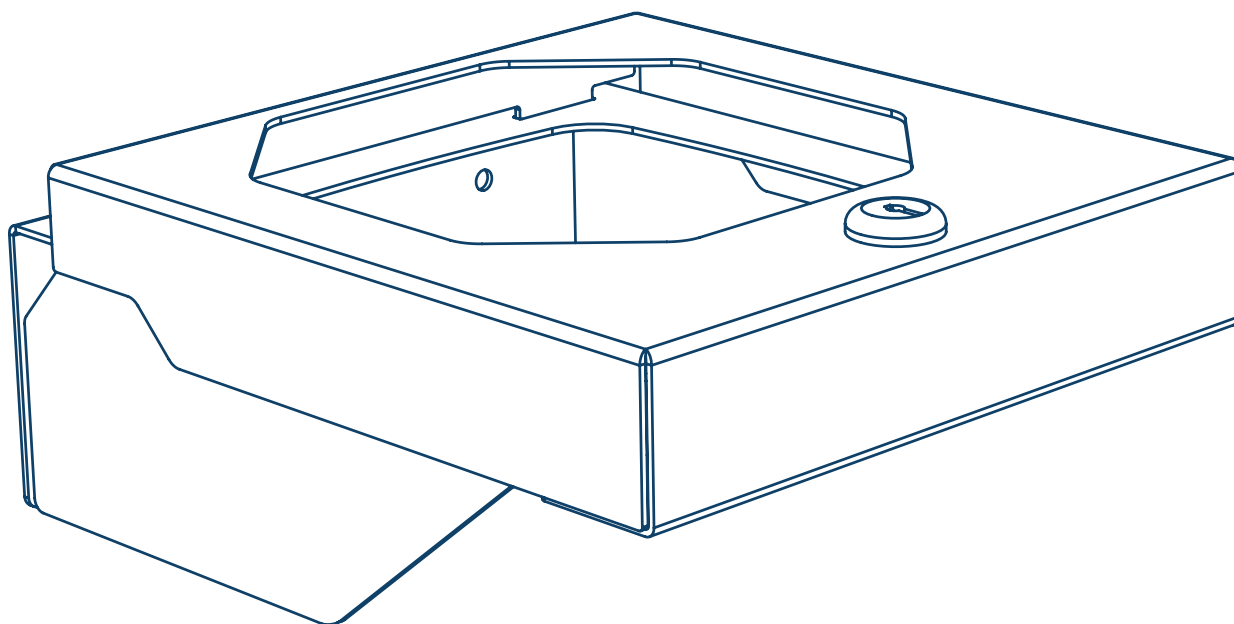


Static Lock Bracket

Usage Instructions



SECURE
a DRUG

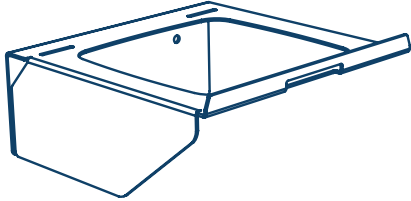


Daniels Sharpsmart Inc,
111 W Jackson Blvd Suite 1900
Chicago Illinois 60604

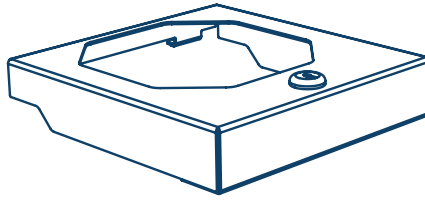
www.secureadrug.com
hello@secureadrug.com
855 251 2655

Package Contents

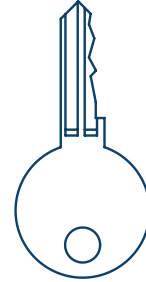
1x



1x



2x



Installation

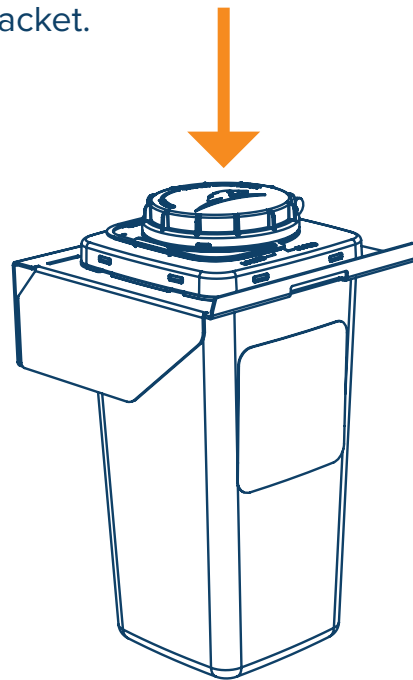
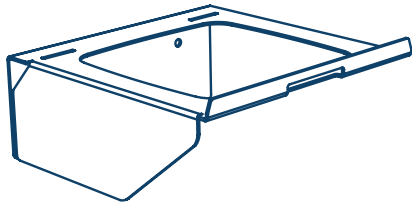
- 1 Purchase 3 wall mount fasteners suitable for the wall material that the Lock Bracket will be fixed to. Fasteners are not included. (The recommended fastener size is #10 gauge or 5mm.)
- 2 Place the bracket on the wall in the desired location, the recommended mounting height is 43" (1100mm) from the ground.



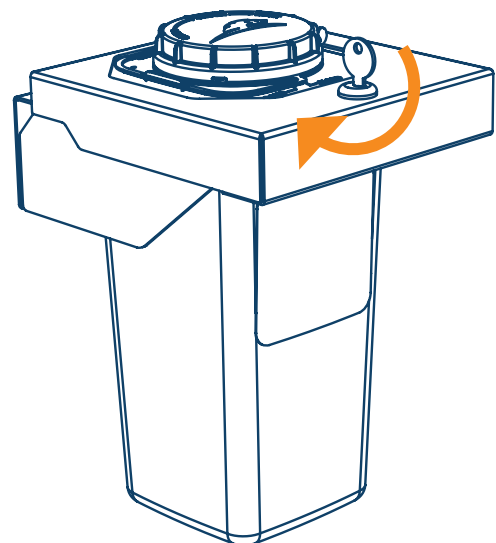
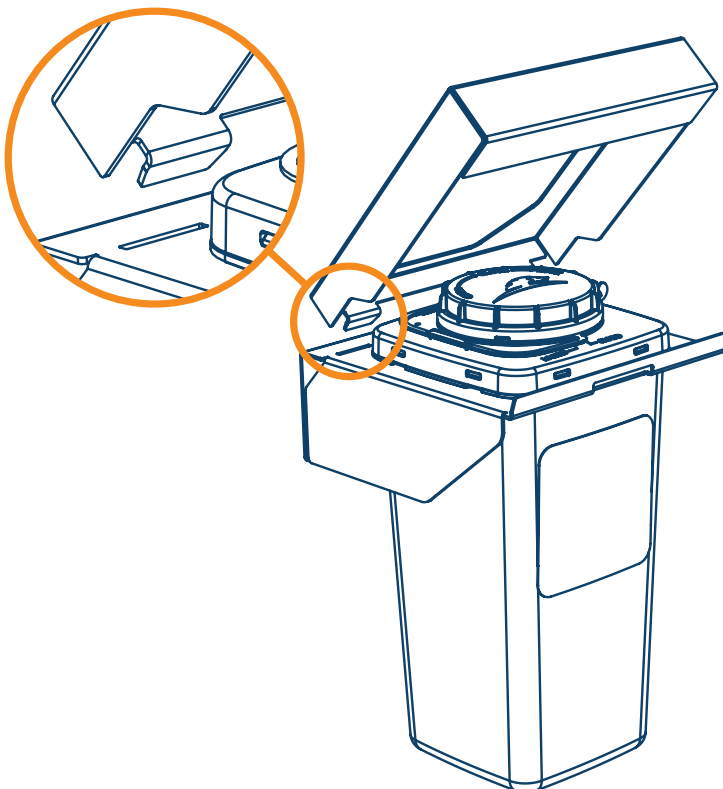
- 3 Drill holes through the 3 mounting holes.
- 4 Mount the bracket in position using 3 x fasteners.

Operation | Loading a Container

- 1 Place a Secure a Drug container in the bracket.
Any orientation is suitable.



- 2 To lock the container in place, slide the tabs of the cover into the slots in the bracket.
Insert the key and rotate clockwise 90° to lock.
Remove the key.



Operation | Medication Disposal

- 1 Unscrew the cap and deposit medications inside the container.
Replace the cap, and twist to the “**CLOSED**” position.
Do not twist to “**LOCKED**” position until container is ready for disposal.

