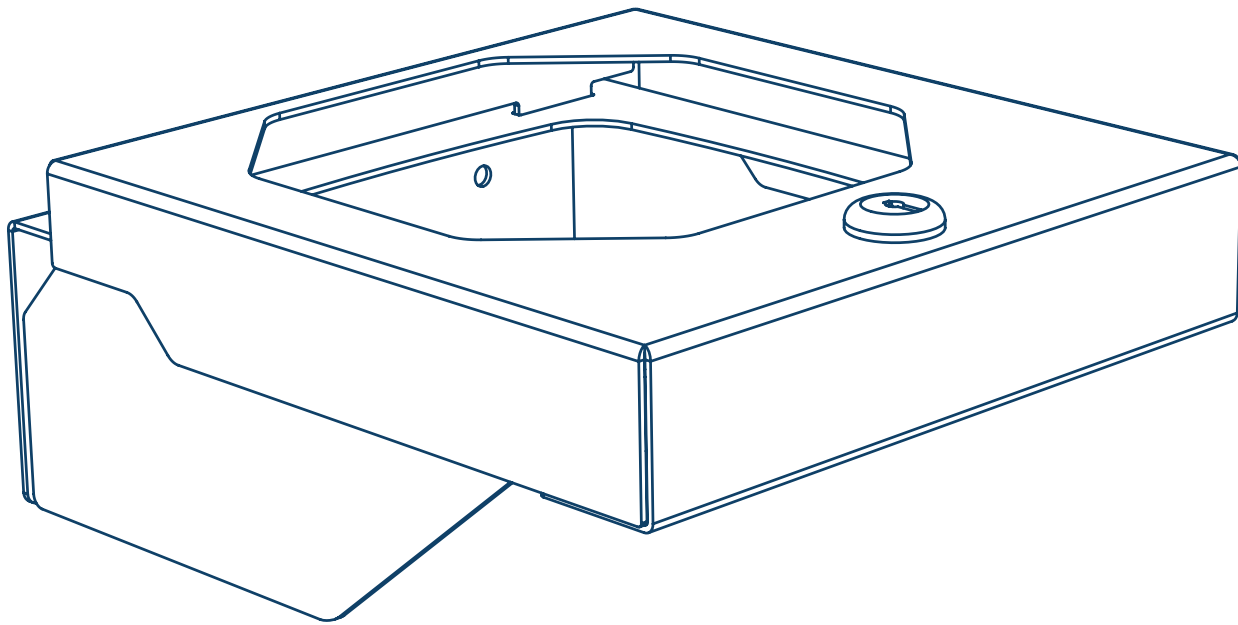


Static Lock Bracket

Mounting Instructions



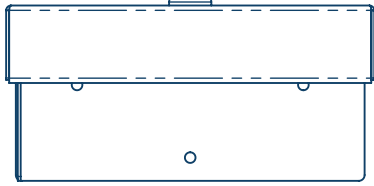
SECURE
a DRUG



Daniels Sharpsmart Inc,
111 W Jackson Blvd Suite 1900
Chicago Illinois 60604

www.secureadrug.com
hello@secureadrug.com
855 251 2655

Overview | SD2 & SD4 Static Lock Bracket



- 3 Fasteners
- Can be mounted to plaster/drywall
- Bracket weight: 1kg
- Bracket weight with full SD4 container: 4.3kg

Mounting

The recommended mounting height is 43" (1100mm) from the top of the bracket to the ground. To allow space for the containers, ensure there are no objects within 12" (305mm) below the top of the bracket.

Plaster/Drywall:

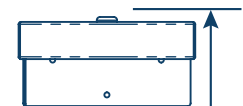
- Use Toggle bolt anchors, 3/16" screw diameter, 2" long.

Stud:

- Use #10 Gauge wood screws x 1.5" long.

Brick or concrete wall:

- Use 3/16" x 1.5" long (min) masonry screw.



43"
(1100mm)

Floor Level